



## Features

- Requires 64 % less space than 0402-size resistor
- Lead free
- RoHS compliant\*
- Power rating at 70 °C = 1/20 W
- Three layer termination process with nickel barrier prevents leaching and provides excellent solderability
- Suitable for most types of soldering processes
- Standard packaging on paper tape and reel

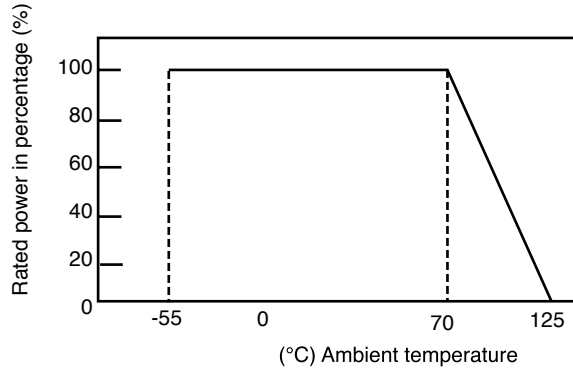
# CR0201 - Chip Resistor

## Electrical Characteristics

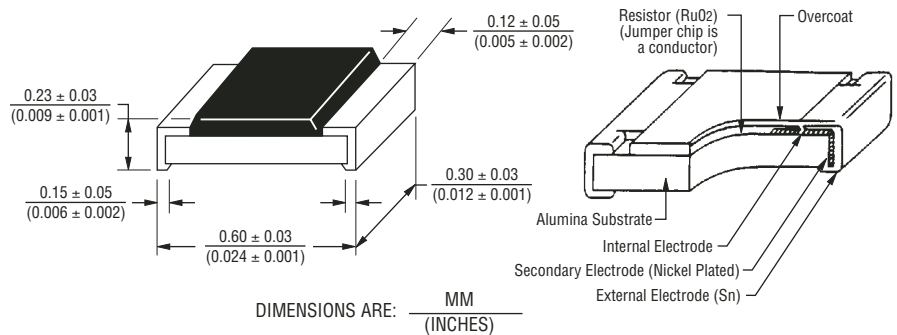
Power Rating @ 70 °C.....1/20 W  
 Operating Temperature Range .....-55 °C to +125 °C  
 Derated to 0 Load at .....+125 °C  
 Maximum Working Voltage .....25 V  
 Maximum Overload Voltage .....50 V  
 Resistance Range  
 1 %, E-96 and E-24 .....10 ohms to 1 megohm  
 5 %, E-24 .....10 ohms to 1 megohm  
 Zero Ohm Jumper.....<0.05 ohms  
 Temperature Coefficient  
 1 % and 5 % .....±250 ppm/°C  
 .....Zero Ohm Jumper  
 .....-200 ppm/°C to +500 ppm/°C

For Standard Values Used in Capacitors, Inductors, and Resistors, [click here](#).

## Derating Curve



## Dimensional Drawings



## How To Order

**CR 0201 - F W - 8252 G LF**

Model \_\_\_\_\_  
 (CR = Chip Resistor)

Size \_\_\_\_\_  
 • 0201

Resistance Tolerance \_\_\_\_\_  
 F = ±1 % .....For values from 10 ohms through 1 megohm.  
 J = ±5 % .....For values from 10 ohms through 1 megohm, and for zero ohm jumper.

TCR (ppm/°C) \_\_\_\_\_  
 W = ±250 .....Used with "F" and "J" Resistance Tolerance code for all values except zero ohm jumper.  
 / = -250 to +500 ..Used with zero ohm jumper only.

Resistance Value \_\_\_\_\_  
 For 1 % Tolerance:  
 <100 ohms....."R" designates decimal point (example: 24R3 = 24.3 ohms)  
 ≥100 ohms.....First three digits are significant, fourth digit represents number of zeros to follow (example: 8252 = 82.5k ohms).  
 For 5 % Tolerance:  
 ≥10 ohms.....First two digits are significant, third digit represents number of zeros to follow (example: 474 = 470k ohms; 000 = Jumper).

Packaging \_\_\_\_\_  
 G = Paper Tape (15,000 pcs.) on 7 " Plastic Reel

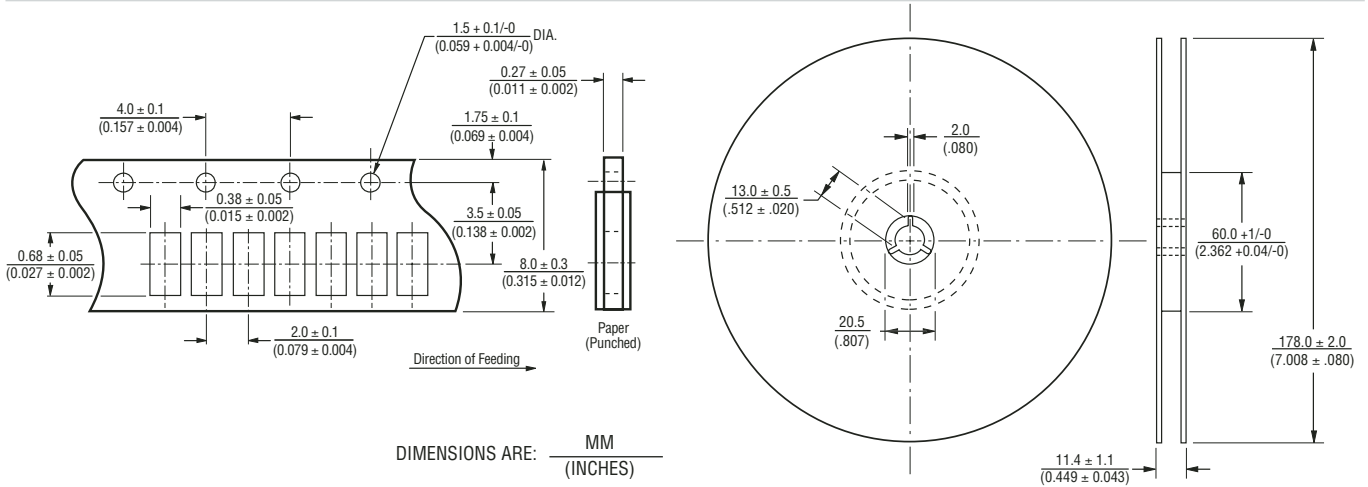
Termination \_\_\_\_\_  
 LF = Tin-plated (lead free)

\*RoHS Directive 2002/95/EC Jan 27 2003 including Annex  
 Specifications are subject to change without notice.  
 Customers should verify actual device performance in their specific applications.

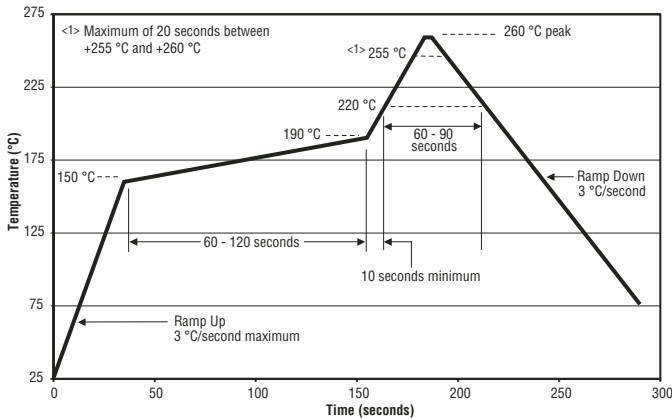
# CR0201 - Chip Resistor

**BOURNS®**

## Packaging Dimensions (Conforms to EIA RS-481A)



## Soldering Profile for Lead Free Chip Resistors and Arrays



## Part Marking System

No Marking on the CR0201 Chip Resistors.



Reliable Electronic Solutions

**Asia-Pacific:**  
 Tel: +886-2 2562-4117  
 Fax: +886-2 2562-4116  
**Europe:**  
 Tel: +41-41 768 5555  
 Fax: +41-41 768 5510  
**The Americas:**  
 Tel: +1-951 781-5500  
 Fax: +1-951 781-5700  
[www.bourns.com](http://www.bourns.com)